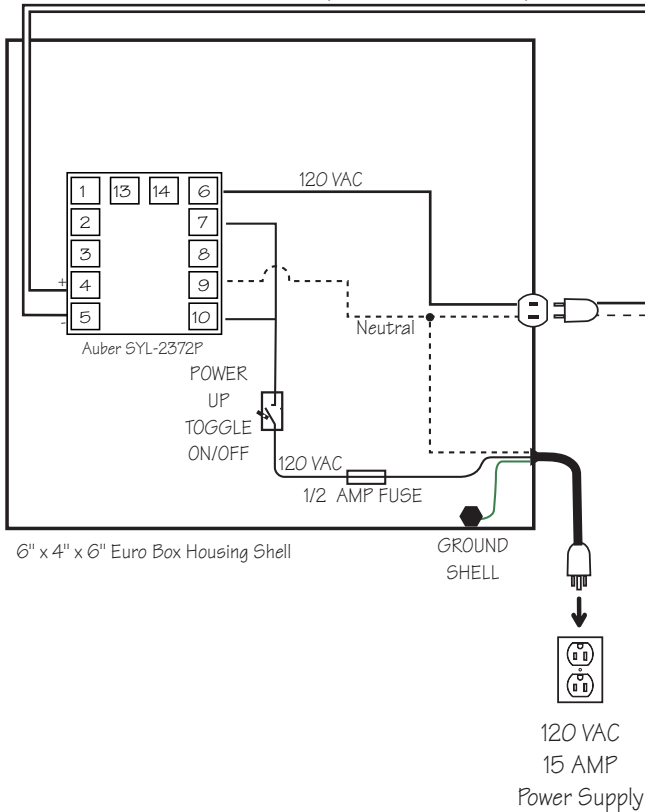


# Controller

For Set-Point Control use Syl-2372  
For Ramp and Soak use Syl-2372P

Type "K" Thermocouple



# Single Phase Kiln

2 E240-10-158 Elements  
Kiln Draws 20 Amps

