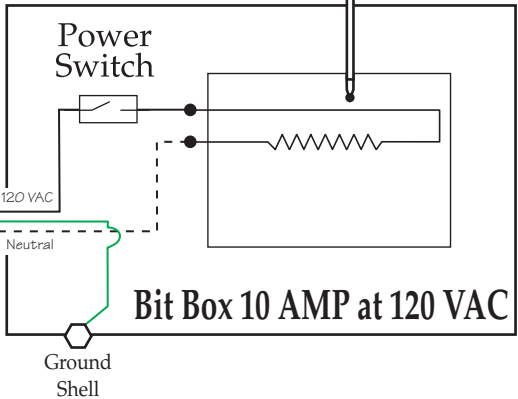
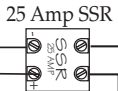
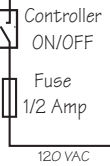
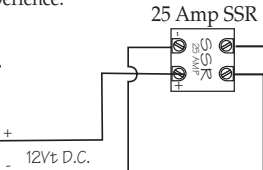
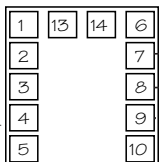


Type "K" Thermocouple

Caution: When you use a SSR make a special effort to install a heat sink to eliminate possible overheating of component. These relays are great but you must follow directions in order to have a trouble free experience.

Auber SYL-2352
Set Point Controller



Bit Box 10 AMP at 120 VAC

6" x 6" x 6" Euro Box Housing Shell

