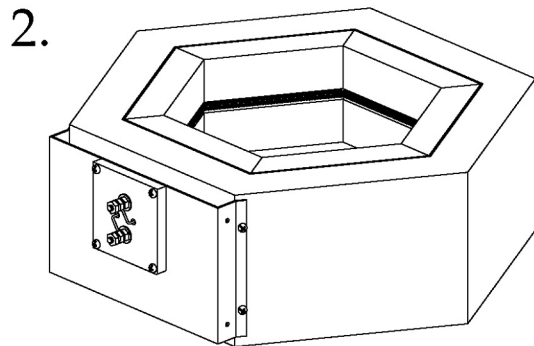
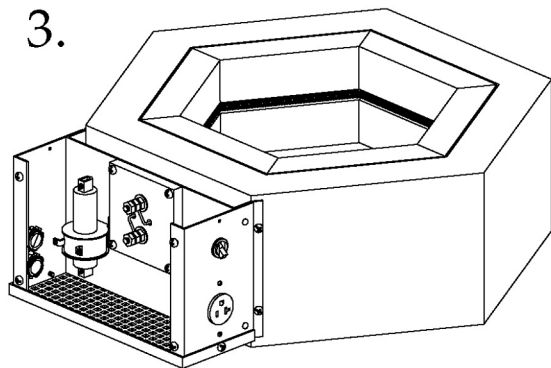


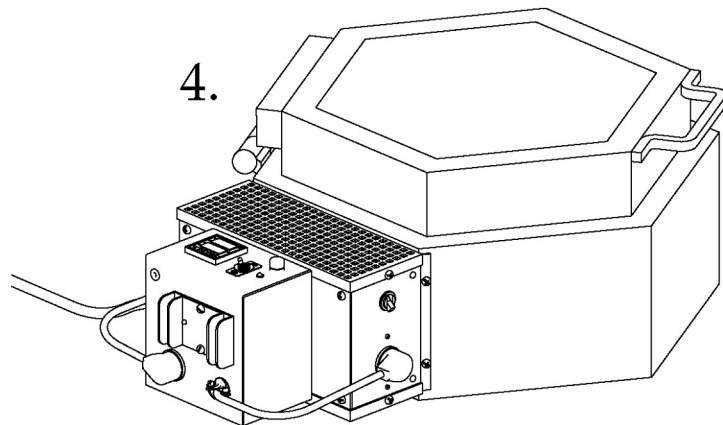
*Fig. 05-1 Cut a hole in the vertical vent wall for the marinite board and slide board over the element leads.*



*Fig. 05-2 After bolting the marinite board in place wrap the element leads around the connector bolts.*



*Fig. 05-3 Mount parts required within the component box.*



*Fig. 05-4 The controller box is attached to the component box and is the furthest from the heat of the kiln.*